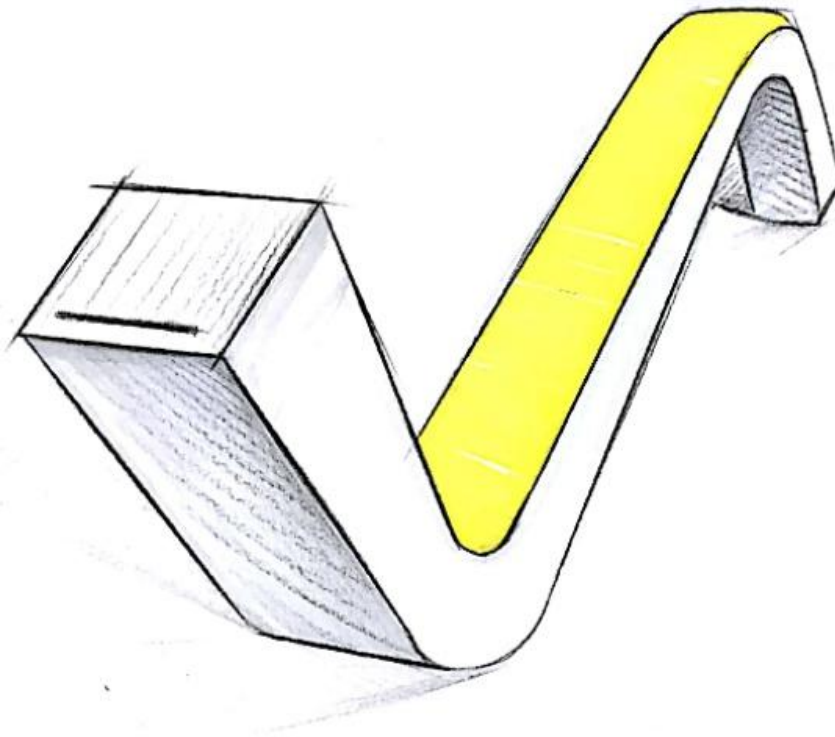


# **LED Neon Flex F1616 White Static**





## Description

F1616 LED NEON FLEX is our good quality & competitive product. It adopt optimized heat dissipation with innovative waterproof design.

It takes flat lighting surface, and give people a sense of simplicity and elegance. Different bending directions bring more possibilities to lighting design. This series is suitable for embedded installation, and is very popular in facade, hotel, commercial lighting and other application.

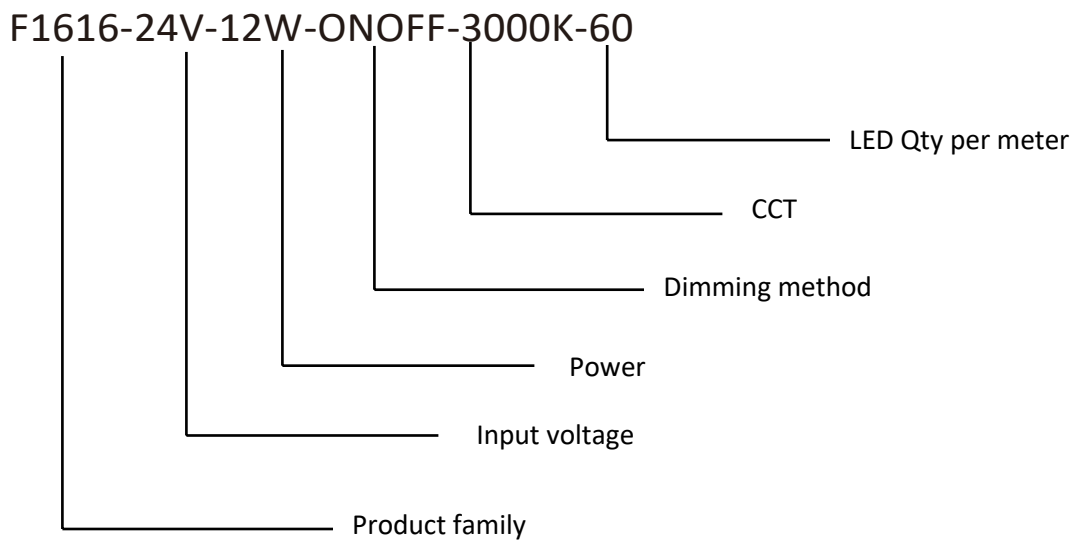
## Features

- With innovative heat sink design
- High lighting efficiency
- Patented waterproof design
- Light weight and slim appearance
- Reliable with a long lifespan

## Application

- Commercial building
- Shopping mall
- Bridge
- Special-shaped building
- Others

## Model

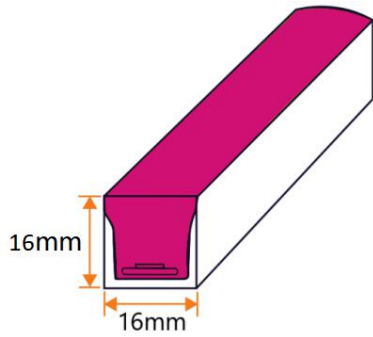


## Technical Specification

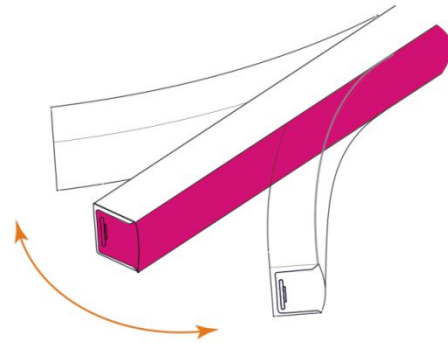
<b>Model No.</b>	F1616-24V-12W-ONOFF-3000K-60	F1616-24V-10W-DMX-3000K-120	F1616-24V-10W-DMX-3000K-144
<b>Input voltage</b>	DC24V	DC24V	DC24V
<b>CCT</b>	3000K(other CCT optional)	3000K(other CCT optional)	3000K(other CCT optional)
<b>LED chip</b>	SMD5050	SMD2835	SMD3528
<b>LED Qty per meter</b>	60	120	144
<b>Power (W)</b>	12	10	10
<b>Pixel per meter (Pixel)</b>	N/A	N/A	N/A
<b>Dimming method</b>	N/A	N/A	N/A
<b>Minimum cutting unit</b>	6PCS LED	12PCS LED	12PCS LED
<b>Minimum cutting length</b>	10cm	10cm	8.33cm
<b>Maximum length single feed</b>	7		
<b>Maximum length double feed (Mtr)</b>	14		
<b>Wire number</b>	2		
<b>Dimension (mm)</b>	W16*H16		
<b>Light surface</b>	120°		
<b>Bending direction</b>	Vertically		
<b>Lumen maintenance</b>	70,000 Hours L70 25°C , 50,000 Hours L70 50°C		
<b>Housing material</b>	PVC		
<b>Installation temperature</b>	0°C to +55°C		
<b>Operation temperature</b>	-25°C to +55°C		
<b>Humidity</b>	0-95% non condensing		
<b>IP</b>	IP68, IP67		
<b>Warranty</b>	Standard 3 years, 5 years optional		

## Physical Specification

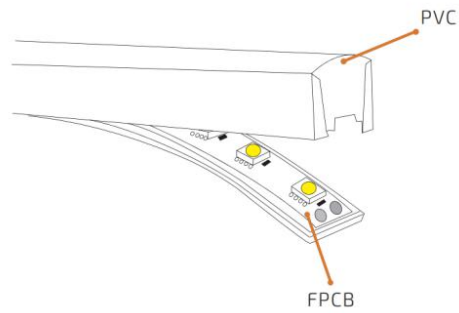
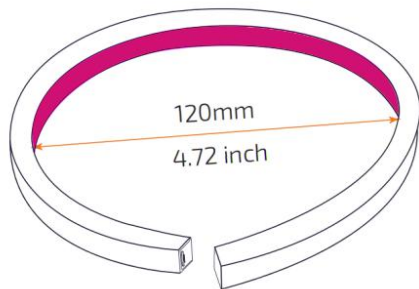
Light profile



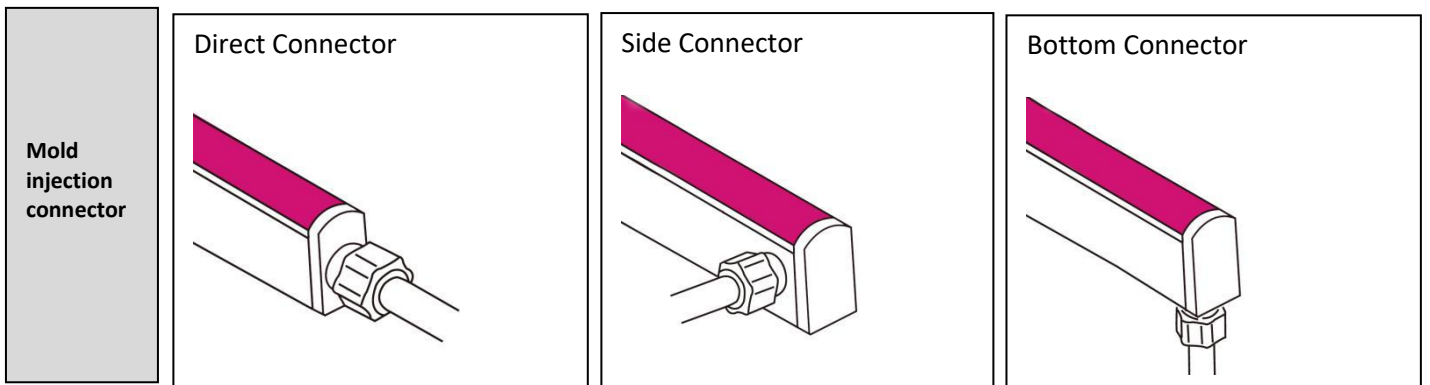
Bending Direction



Minimum Bending Diameter

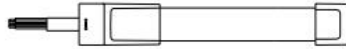


## Waterproof Connector



## Loading Chart

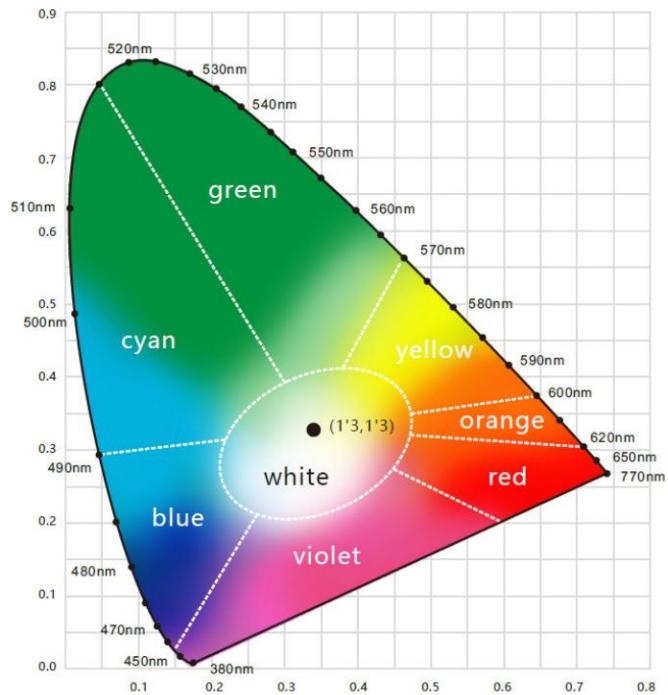
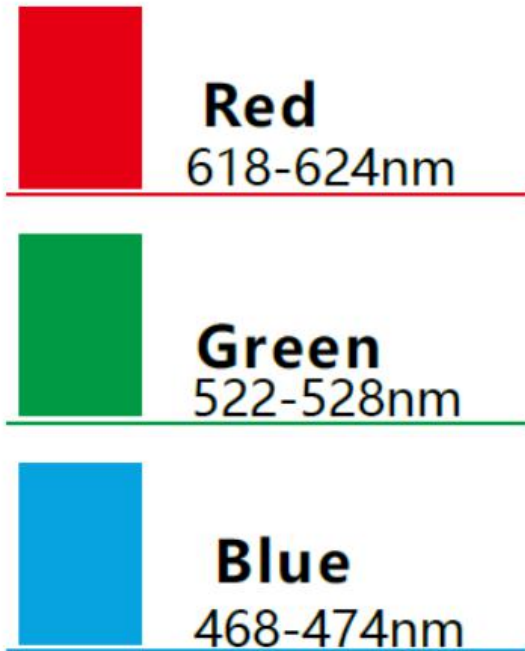
Rated Power	Power Supply									
	35W	60W	75W	80W	100W	120W	150W	185W	240W	320W
12/m	2m	4m	5m	6m	7.5m	8m	10m	12.3m	16m	20m
Lead Type	Single Feed				Double Feed					



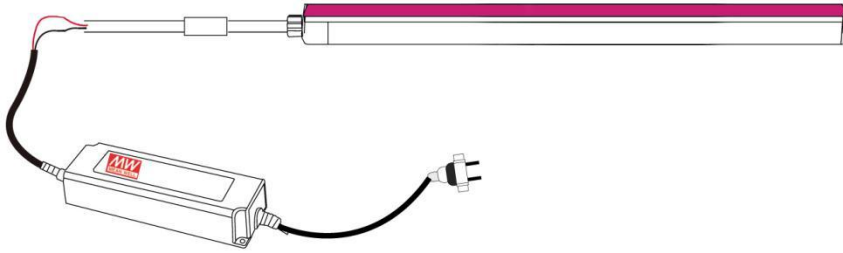
**Note:** These are the max recommended run lengths based on power supply.

**For example:** It is recommended to use one 80W power supply for a single-fed run of 6m at 12W/m.

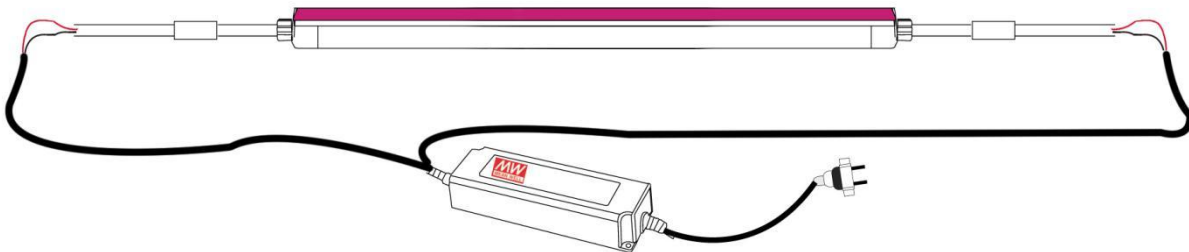
## Wavelength of Color



## Wiring Diagram



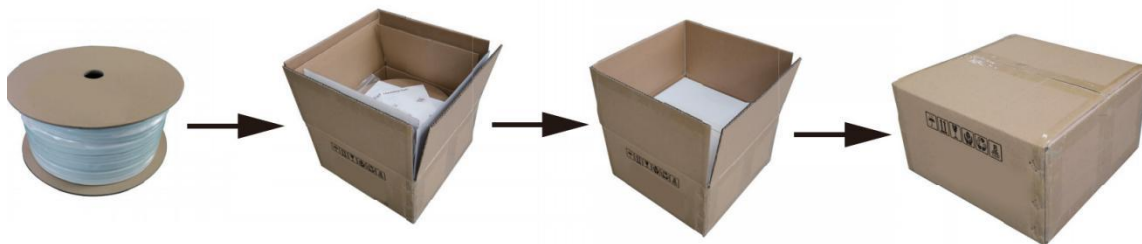
Single Feed: Length<7Meters



Double Feed: 7Meters<Length<14Meters

## Packaging

### Standard Carton



### Customized Carton

