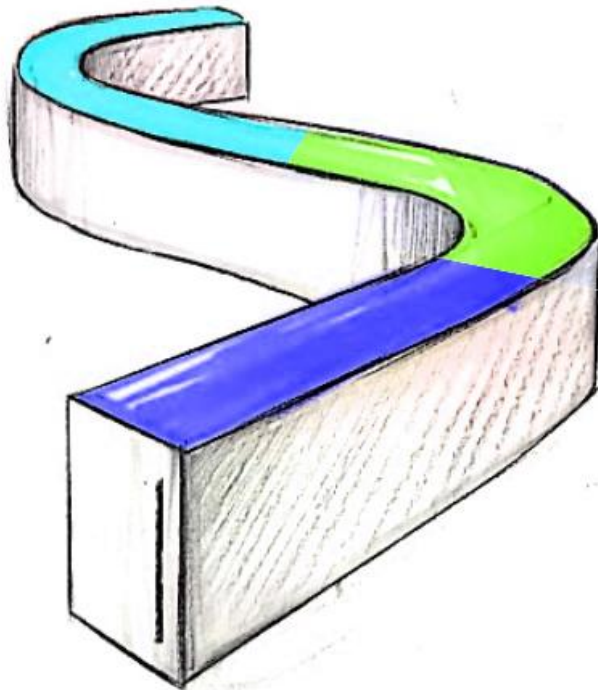


LED Neon Flex

F1222 RGB DMX Pixel Chasing





Description

F1222 LED NEON FLEX is our good quality & competitive product. It adopt optimized heat dissipation with innovative waterproof design.

It takes flat lighting surface, and give people a sense of simplicity and elegance. Different bending directions bring more possibilities to lighting design. Plane lighting surface series is suitable for embedded installation, and is very popular in facade, hotel, commercial lighting and other application.

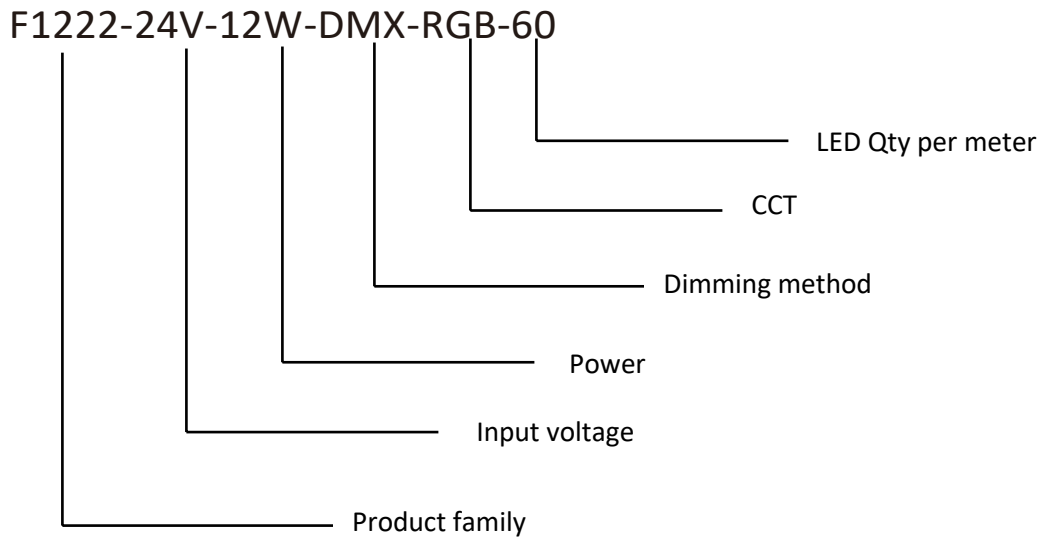
Features

- With innovative heat sink design
- High lighting efficiency
- Patented waterproof design
- Light weight and slim appearance
- Reliable with a long lifespan

Application

- Commercial building
- Shopping mall
- Bridge
- Special-shaped building
- Others

Model

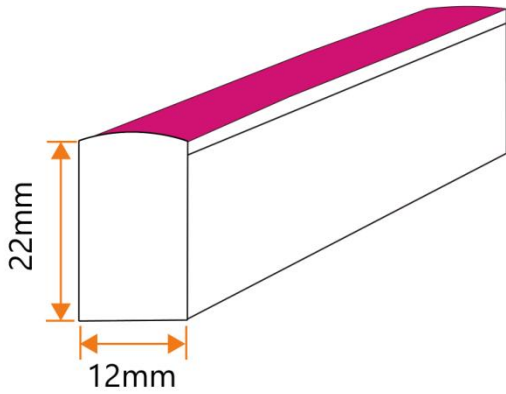


Technical Specification

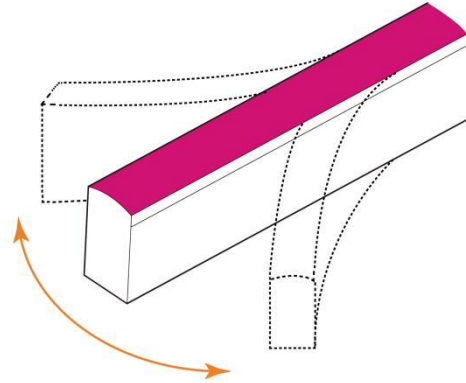
Model No.	F1222-24V-15W-DMX- RGB-70
Input voltage	DC24V
CCT	RGB
LED chip	SMD5050(1500lm)
LED Qty per meter	70
Power (W)	15
Pixel per meter (Pixel)	10
Dimming method	DMX
Minimum cutting unit	7PCS LED
Minimum cutting length	10cm
Maximum length single feed	8
Maximum length double feed (Mtr)	16
Wire number	5
Dimension (mm)	W12*H22
Light surface	120°
Bending direction	Horizontally
Lumen maintenance	70,000 Hours L70 25°C , 50,000 Hours L70 50°C
Housing material	PVC
Installation temperature	0° C to +55° C
Operation temperature	-25° C to +55° C
Humidity	0-95% non condensing
IP	IP68
Warranty	Standard 3 years, 5 years optional

Physical Specification

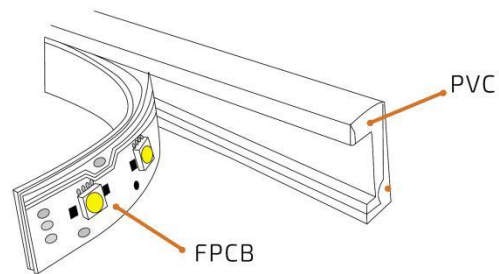
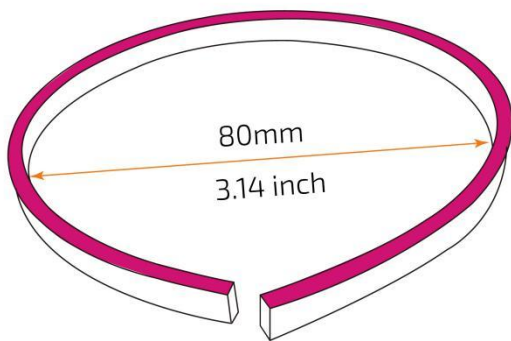
Light profile



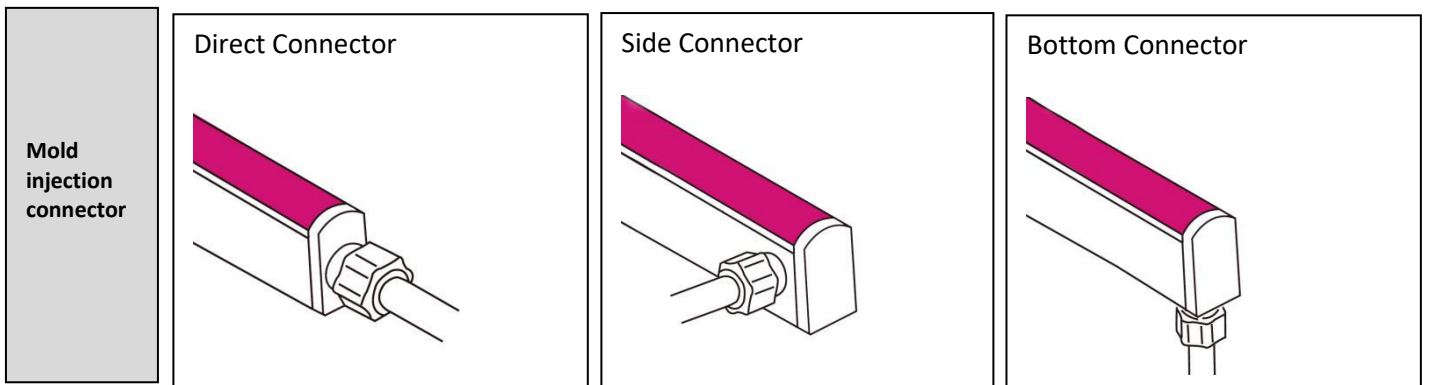
Bending Direction



Minimum Bending Diameter

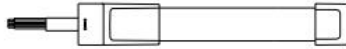


Waterproof Connector



Loading Chart

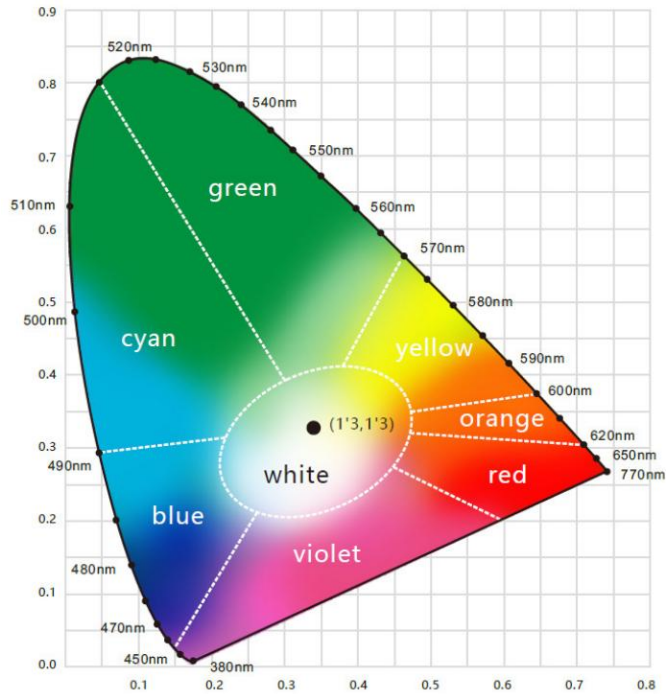
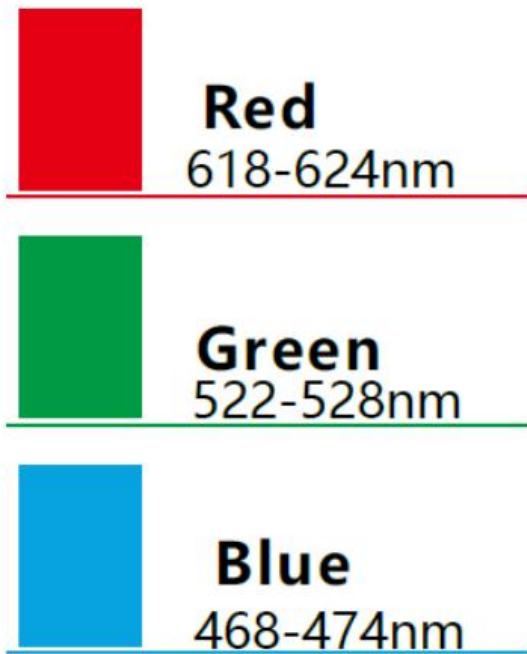
Rated Power	Power Supply									
	35W	60W	75W	80W	100W	120W	150W	185W	240W	320W
12/m	2m	4m	5m	6m	7.5m	8m	10m	12.3m	16m	20m
15W/m	1.5m	3m	4m	4.3m	5m	6m	6.5m	9.5m	12.5m	17m
18W/m	1.5m	2.5m	3m	3.5m	4m	5m	6m	8m	10.5m	14m
Lead Type	Single Feed					Double Feed				



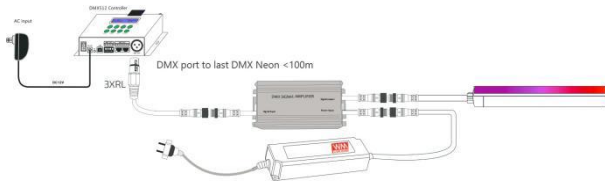
Note: These are the max recommended run lengths based on power supply.

For example: It is recommended to use one 80W power supply for a single-fed run of 6m at 12W/m.

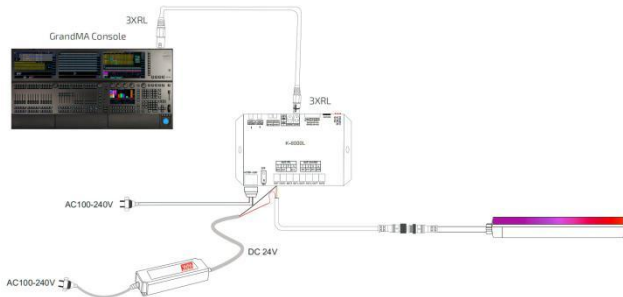
Wavelength of Color



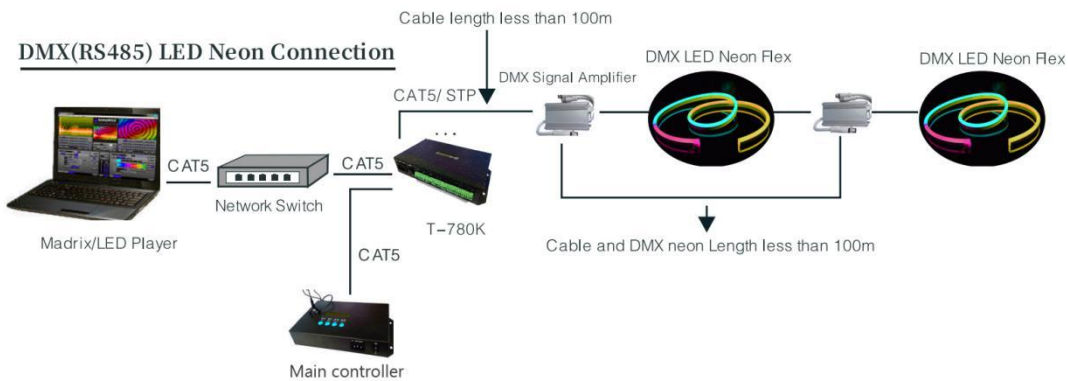
Wiring Diagram



01



02



03

Packaging

Standard Carton



Customized Carton

